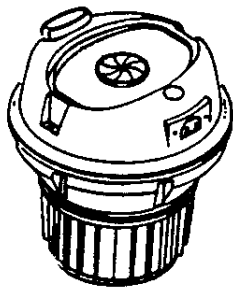
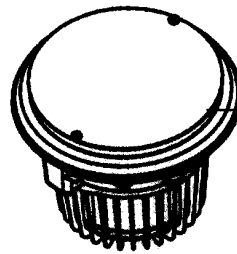


**DESCRIPTION****PLAN**

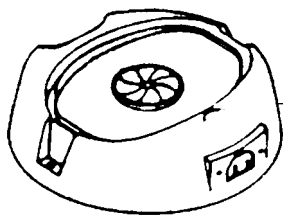
DESCRIPTION	PLAN
Motor head, all models	A - 0.3.3 - 2
Motor and on/off switch	A - 0.3.3 - 4
Cords	A - 0.3.3 - 6
Dust bag and accessories	A - 0.3.3 - 8
Diffuser, filter	A - 0.3.3 - 10
Upper/lower container with accessories	A - 0.3.3 - 12
Hoses, connections and tubes, 38mm and 32mm	A - 0.3.3 - 14
Nozzles 32mm	A - 0.3.3 - 16



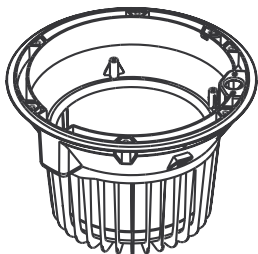
1



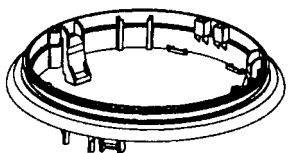
2



10

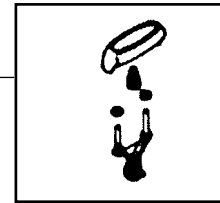


12

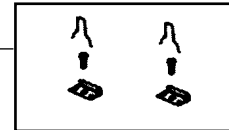


11

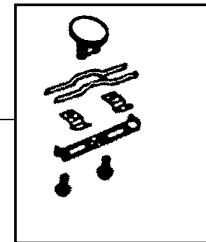
20



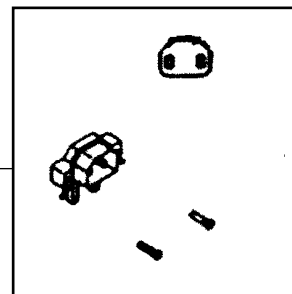
21



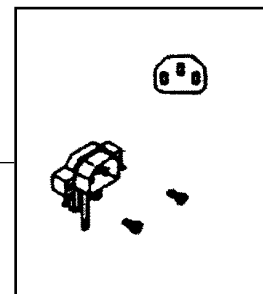
22



23



24

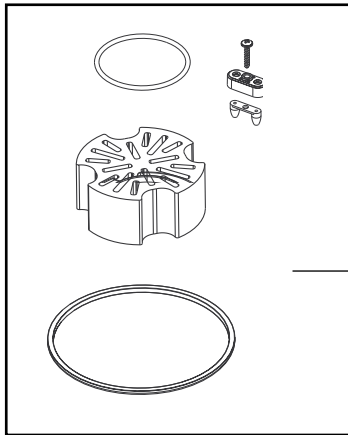


02-10	MOTOR HEADS, CONSUMER, GS/GM 80	BOOK A		
04-04	MOTOR HEADS, ALL MODELS	A	0.3.3	3

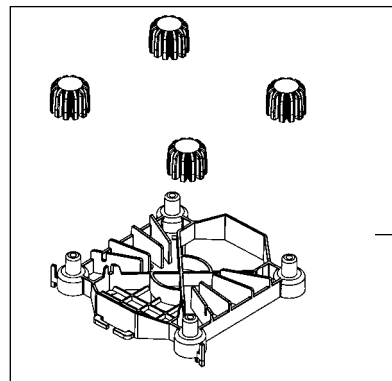
Pos.	Part No.	Qty.	Desc.1	Desc.2,	EAN 005715492+
1	12108127	1	Motor gsp 100v.japan		+004164
1	12108129	1	Motor gsp 110-120v.ul		+004171
1	12108148	1	Motor gsp 200v.japan		+004218
1	12108153	1	Motor gsp 220-240v.eu/aus		+004195
1	12108229	1	Motor gsp w/cord ul		+004188
1	12108253	1	Motor gsp w/cord eu/aus		+004201
1	12108329	1	Motor gspj 110-120v.ul		+004270
1	12108348	1	Motor gspj 200v.japan		+004294
1	12108353	1	Motor gspj 220-240v.aus		+004287
1	12108429	1	Motor gsp 110-120v.ul		+007431
1	12108529	1	Motor gspj 110-120v.ul		
1	12108629	1	Motor gsp w/cord ul		
1	12110127	1	Motor gmp 100v.japan		+004263
1	12110129	1	Motor gmp 110-120v.ul		+004225
1	12110229	1	Motor gmp, fixed cord, ul		+004232
1	12110327	1	Motor gmpj 100v.japan		+004317
1	12110329	1	Motor gmpj 110-120v.ul		+004300
1	12110429	1	Motor gmp 110-120v. ce		
1	12112153	1	Motor gmp 220-240v.eu/aus		+004249
1	12112253	1	Motor gmp m.f.led.220-240		+004256
1	12112353	1	Motor gmpj 220-240v.eu-ud		+004324
1 >>	12112453	1	Motor GMP EU/AU	Colour: black	
1>>	12110629	1	Motor GMP US ground	Colour: black	
1>>	12110529	1	Motor GMP US double insulat	Colour: black	
1>>	12110427	1	Motor GMP JP	Colour: black	
10	22232300	1	Top housing for gs/gm	Colour:grey	+007738
10>>	22232302	1	Top housing	Colour: black	7319519639322
11	22232500	1	Support ring for gs/gm	Motors	+007745
12	22231200	1	Bottom housing with valve	For gs/gm motor	+007714
12	22231201	1	Bottom housing with valve	For gs/gm motor ul-appro.	+007721
20	22410500	1	On/off device for gs/gm	Motors	+018055
21	22410400	1	Locking device for handle	Gs/gm motors	+018048
22	20705300	1	Thermo valve compl.w.part	For motor head gs/ gm	+026241
23	20705400	1	Socket standard w.parts	For motor head gs/ gm	+026258
24	20705500	1	Socket earthed w.parts	For motor head gs/ gm	+026265

NOTE

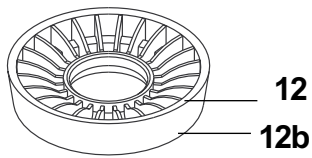
>>Means: New or changed ref. number or/and changed/new specifications.



11

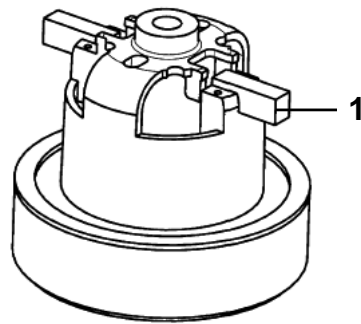


10

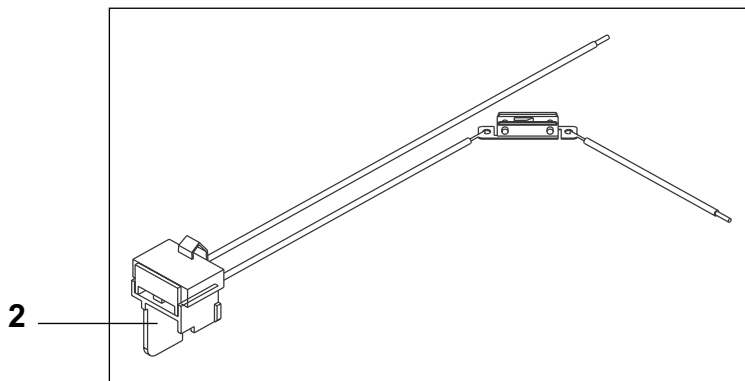


12

12b

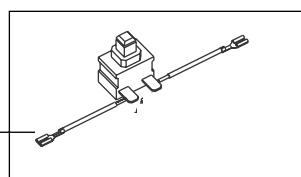


1

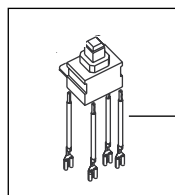


2

3



4

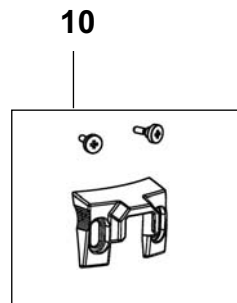
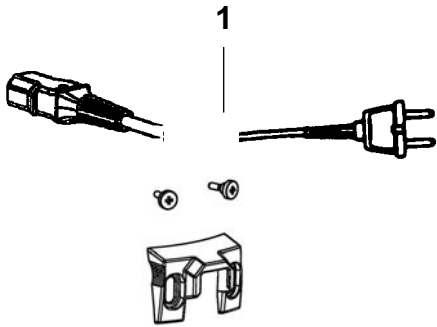


04-04	MOTOR SERVICE KIT, CONSUMER, GS/GM 80	BOOK A		
04-11	MOTOR AND MOTOR WIRE	A	0.3.3	5

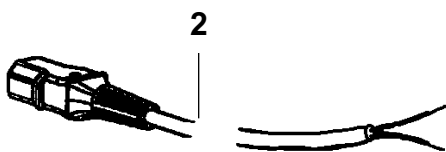
Pos.	Part No.	Qty.	Desc.1	Desc.2	EAN
					005715492
1	12125001	1	Motor gsp 100-120v		+003594
1	12125002	1	Motor gsp 200-240v		+003600
1	12125003	1	Motor gmp 110-120v		+003020
1	12125005	1	Motor gmp 220-240v		+003013
2	22130500	1	Wire kit/thermo switch ul	Only ul approved motor	+003563
2	22130501	1	Internal wire and	Capacitor	+006687
3	22131100	1	On/off switch 1-pole		+003570
4	22131200	1	On/off switch 2-pole		+003587
10	22231100	1	Motor suspension-phillips	Motors gm400/king/gd1000	+007691
11	22365300	1	Sound absorber and gasket	GS/GM motor	+011865
12	22399800	1	Gasket for inlet	For phillips motor	+014187
12b>>	22399810	1	Inlet gasket,	For ametek motor	+023042

NOTE

>>Means: New or changed ref. number or/and changed/new specifications.



Cord with plug/socket for bracket, item10 , for GM 80-90 series			
	Voltage	Plug type	
EU	250		
UK	250		
AUS/NZ	250		
CH	250		
USA/CAN	120		



01-08	MOTOR SERVICE KIT, GS/GM 80, CONSUMER	BOOK A		
04-04	CORDS	A	0.3.3	7

	Typical regional use	Type of cord	Part No. for consumer use	EAN code 5715492+
1	EU	2x1.0-7mm grey	21548000	+011476
	UK	2x1.0-7mm grey	21746500	+009626
	US/CAN	2x18AWG-30ft	21952200	+009695
	AUS/NZ	2x1.0-7mm grey	21905400	+009657
	CH	2x1.0-7mm grey	21907900	+009688
	>>EU	2x1.0-7mmBlack	11545920	7319519628340
	>>UK	2x1.0-7mmBlack	11746620	7319519639391
	>> AUS/NZ	2x1.0-7mmBlack	147 0363 500	7319519639308
	>> US	3x18AWGBlack ground	11827420	7319519639384
	>> US	2x18AWGBlack	11952220	7319519639377

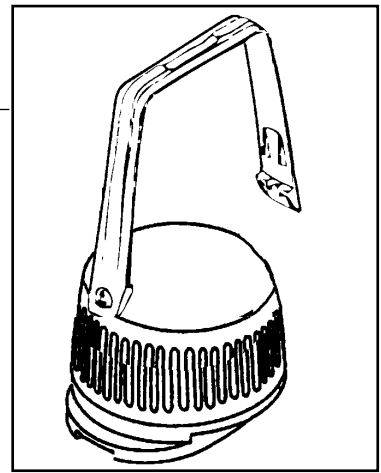
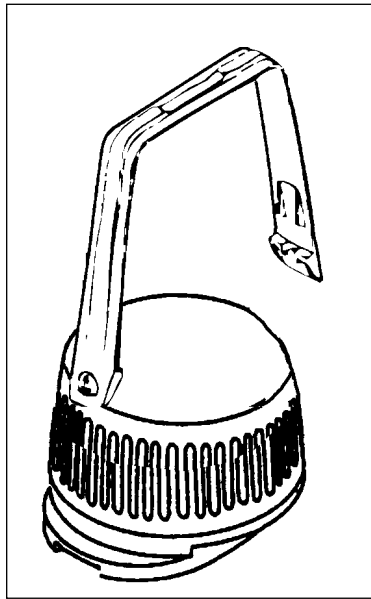
Item	Ref.No.	Description	Note	EAN code (5715492+)
10	22361000	Bracket with screws for detachable mounting of cords		+011469

Cord with socket only, no plug

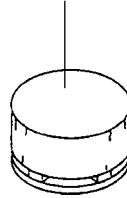
	Type of cord	Part No. for consumer use	Part No. for institutional use	EAN code 5715492+
2	2x1.0-7m	21545400		+009589

NOTE

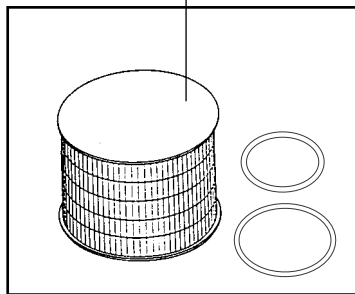
>>Means: New or changed ref. number or/and changed/new specifications.



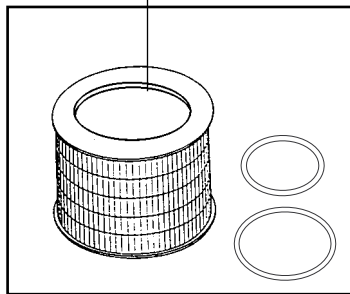
4B



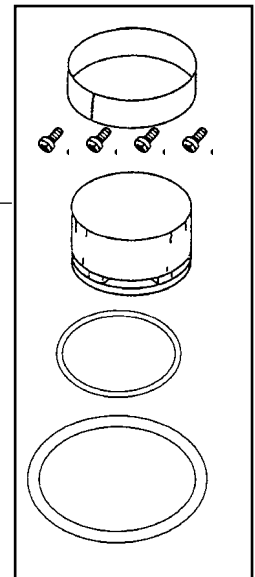
2



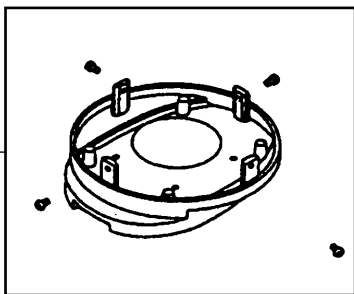
3



4A



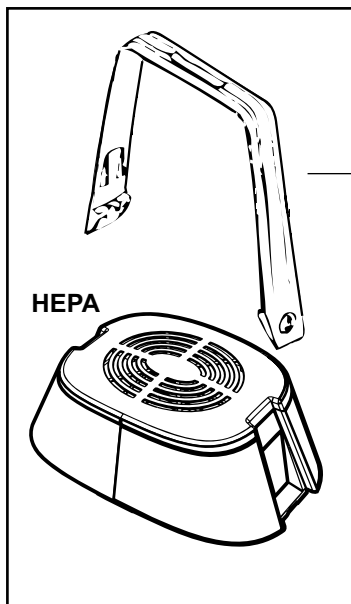
9



5

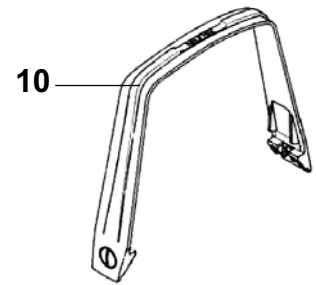


HEPA

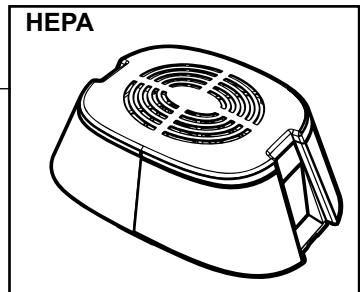


6

10



7

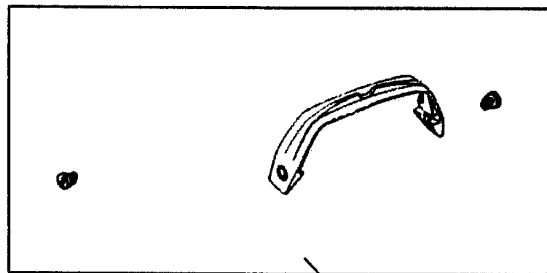
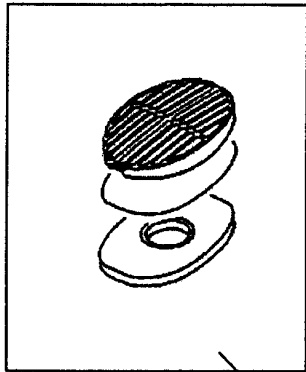


04-04	MOTOR SERVICE KIT, CONSUMER, GS/GM 80	BOOK A		
06-09	EXHAUST FILTER AND ACCESSORIES	A	0.3.3	9

Item	Ref.No.	Qty	Description	EAN code
				5715492
1	11731003	1	Exhaust filter kit wo. Filter w handle + base	+003730
2	21738000	1	Filter element hepa for GS/GM motors	+003747
4	11750703	1	Sound suppressor for GS/GM motors	+003761
5	11562000	1	Blowing coupling gs/gm 80 Colour: Black	+003549
6	82146700	1	HEPA starter kit	+005215
7	82147100	1	HEPA replacement filter	+005208
9	22383900	1	Base for filter, kit	+014811
4A	22384100	1	Sound supressor kit for GS/GM motors	+014835
4B	21750900	1	Sound cartridge compl. f. GS/GM motors	
10 >>147	1138 500	1	Handle, for HEPA application	7319519659566

NOTE

>>Means: New or changed ref. number or/and changed/new specifications.

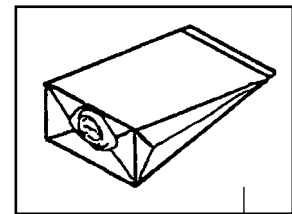
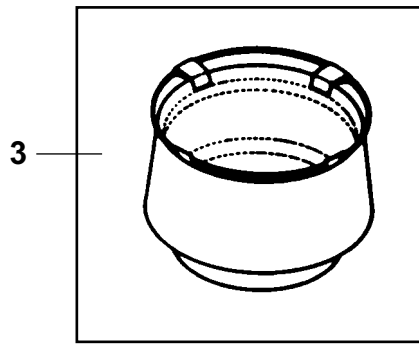
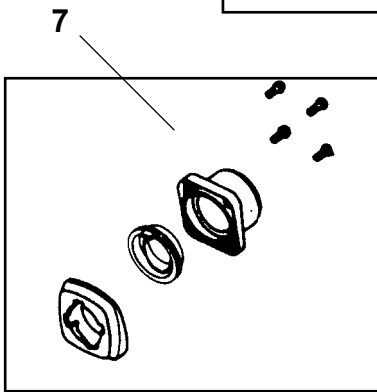
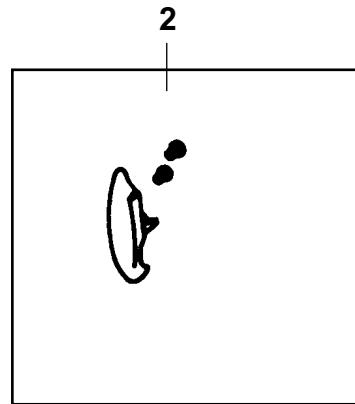
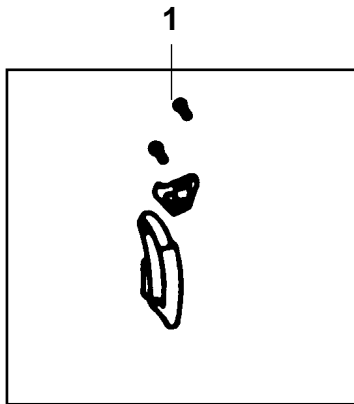


02-10	GS/GM 80	BOOK A		
04-04	DIFFUSER, FILTER	A	0.3.3	11

Item	Ref.No.	Qty	Description	Note	EAN code
1	22394900	1	Exhaust filter with	Micro static	+012800
2	11641000	1	Micro-static filter		+005987
4	11730400	1	Motor protection filter		+173044
5	22132000	1	Handle complete	Colour: grey	+003532
5>>	22132001	1	Handle complete	Colour: black	7319519639353

NOTE

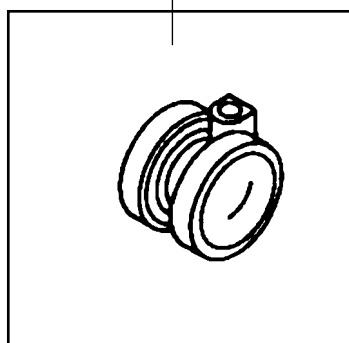
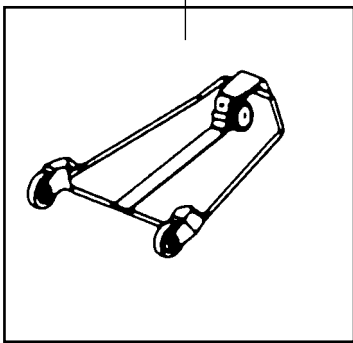
>>Means: New or changed ref. number or/and changed/new specifications.



4

5

6



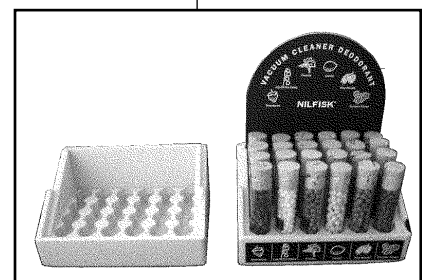
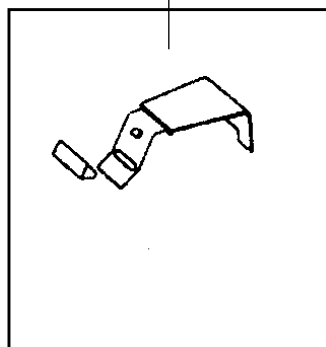
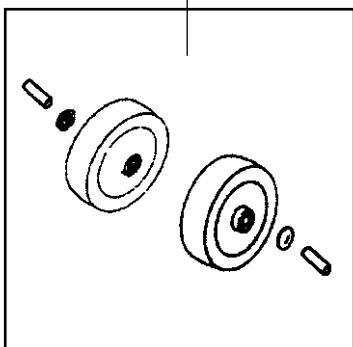
8



4A

4B

9

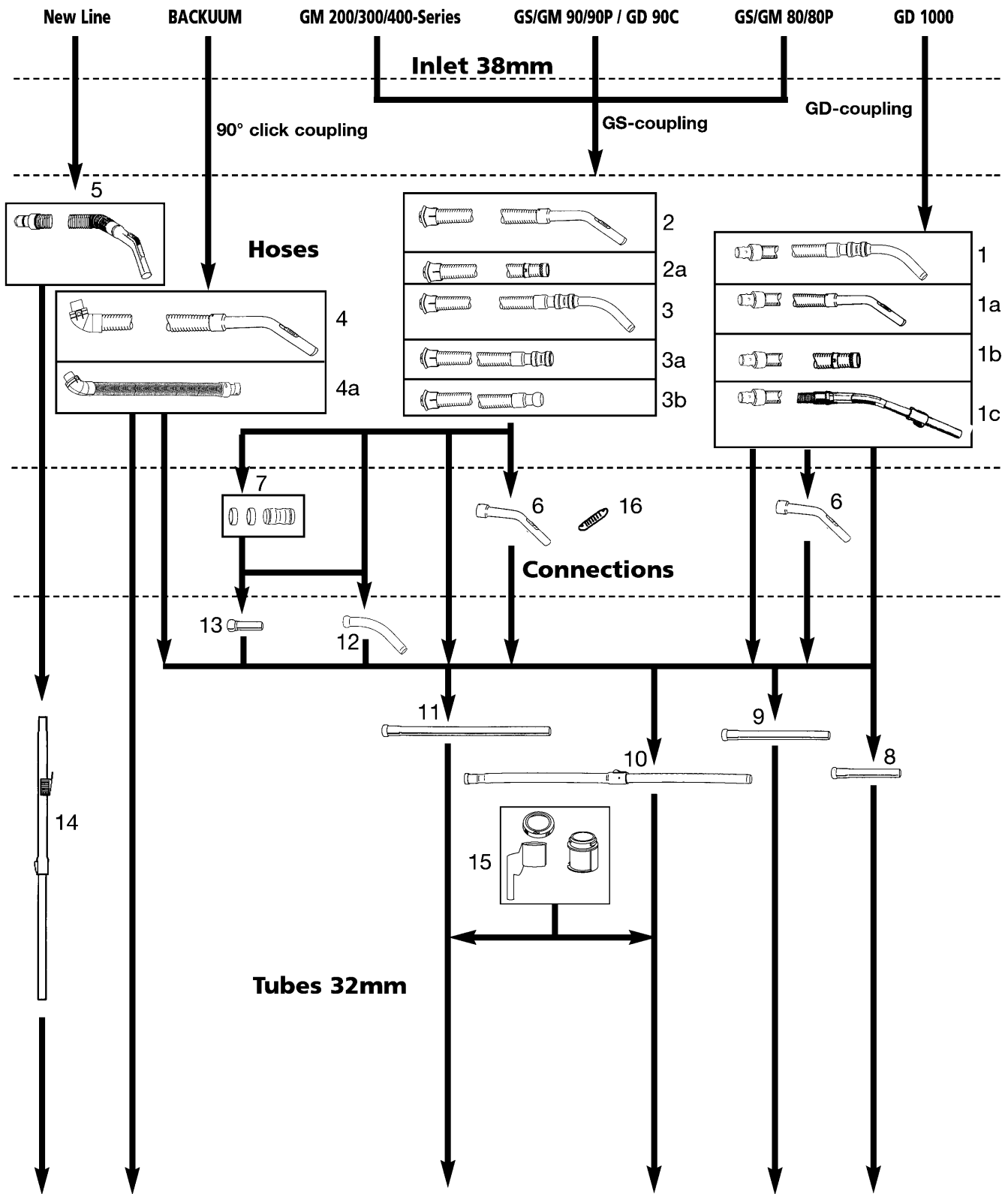


06-06	CONTAINER SERVICE KIT, GS/GM 80, CONSUMER	BOOK A		
06-11	UPPER / LOWER CONTAINER WITH ACCESSORY DUST BAG	A	0.3.3	13

Item	Ref.No.	Qty	Description		EAN code
					005715492
1	22142400	1	Clip 2 pcs complete	For motor head	+004041
1	22142401	1	Clip 2 pcs. cpl. Black	For motor head	7319519639339
2	22142500	1	Clip 2 pcs complete	For container	+004034
3	61543000	1	Filter cotton gs/gm 80	2100 cm2	+004119
3	62348600	1	Filter polyester gs/gm 80	Needlefelt green 2100 cm ²	+025435
4	11547000	1	Trolley consumer gm/gs 80		+004140
4A	22384200	1	Rear wheels f. wagon	Gs/m 80	7319519014842
4A	22384201	1	Rear wheels f. wagon	GM 80 C	7319519639315
4B	22384400	1	Wagon hitch gs/m 80 kit	Blue	+014859
4B>>	22384420	1	Wagon hitch gs/m 80 kit,	Black	7319519661361
5	22410100	1	Kit swivel wheel gm/gs 80	Consumer	+018017
6	82095000	1	Dust bag 6,5l	Box with 5 bags	+002641
7	22142300	1	Bayonet inlet complete	Colour: Grey 80-90 series	+004058
7	22142301	1	Bayonet inlet complete	Colour: Black	7319519639346
8	22340000	1	NILFISK Deodorant (1 pcs)	With the smell of lime	+028627
9	22340024	24	NILFISK Deodorant (24 pcs)	With 6 different smells	+032143

NOTE

>>Means: New or changed ref. number or/and changed/new specifications.



See New-Line nozzles

See nozzles for 32mm

02-10	GS/GM 80	BOOK A		
03-10	HOSES AND TUBES, 32MM	A	0.3.3	15

Pos.	Part No.	Qty.	Desc.1	Desc.2	EAN
					005715492
2	12041500	1	Hose 38/32mm 2m plastic	Gs + curved plastic tube	+002580
2	22041400	1	Hose 38/32mm/2m plastic	With gs coupling wo.tube	+021147
2	22147600	1	Parking service kit	Grey	+005642
2	>>22301500	1	Hose 32/38mm 2m Plastic	Black GS+curved tube	+009206
3	11543600	1	Hose 38-32mm/2m rubber	W. gs-coupling + muff	+019724
3	11543700	1	Hose 32/38 mm l=2m rubber	With ball joint	
3	11717000	1	Hose 38/32mm 2m rubber	Gs-coupling + curved tube	+019700
3	12097500	1	Hose 38/32mm 2m plastic	W.curved steel tube gs 38	+020935
3	12097600	1	Hose 38/32mm 2m plastic	With muff + gs coupling	+021062
3	22097400	1	Hose 38/32mm 2m plastic	Gs + ball joint	+021123
6	21640503	1	Curved tube 32mm plast		+003464
7	22344400	1	Muff kit 32mm black+grey	Antistatisk + olieresist	+010745
7	22344600	1	Consumer muff kit 32mm	Standard	+010752
8	11182500	1	Extension tube 32mm	L=0,2m	+012077
9	11112400	1	Extension tube 32m	L = 560mm chromed steel	+005932
9	11112401	1	Tube extension 32mm 560mm	Chromed steel	+003419
10	81906500	1	Tube telescopic 32mm	Max l. 1130mm	+011872
10	>>22351800	1	Telescopic tube black	KING 1045mm 32mm	+011056
11	11262400	1	Tube 32mm alu l=1.0m		
12	21112600	1	Curved tube 32mm steel		+018598
13	11141900	1	Steel tube 32mm l=0,14m		

NOTE

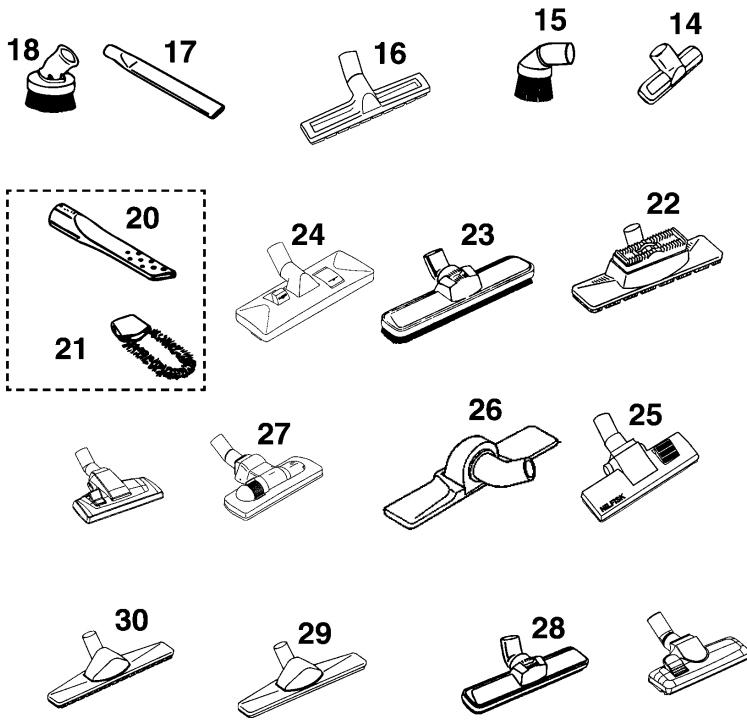
>>Means: New or changed ref. number or/and changed/new specifications.

See hose connection diagram for 38mm hoses

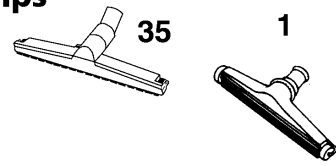


See hose connection diagram for Tapered 38/32mm and 32mm

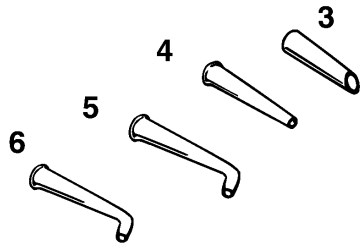
Brushes & nozzles



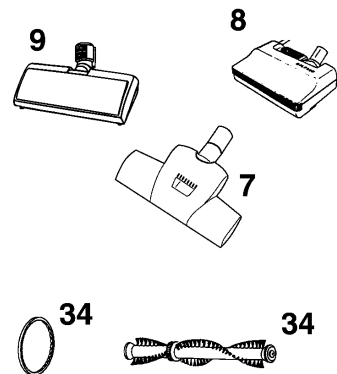
Aluminium nozzle with adjustable lips



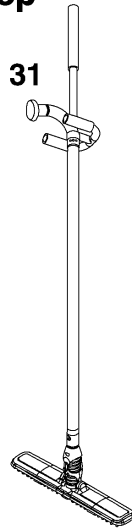
Flexible nozzles



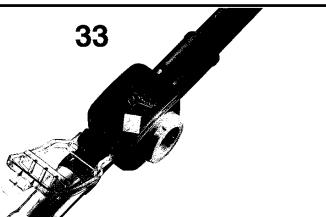
Special nozzle



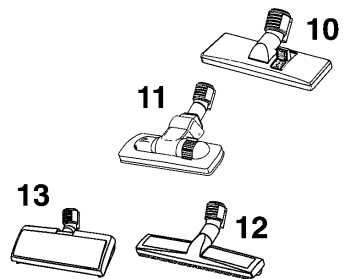
NilfiskMop



Pelican 33



Nozzles with parking clip for GD 1000



02-10	ACCESSORIES 32 MM, GS/GM 80, CONSUMER	BOOK A		
03-10	NOZZLES	A	0.3.3	17

Pos.	Part No.	Qty.	Desc.1	Desc.2	EAN
					005715492
3	22302100	1	Nozzle Flexible 32mm	150mm Black	+009237
3	81140900	1	Nozzle Flexible 150mm	Neck 32mm Plastic	+001026
7	11685000	1	Turbo Nozzle Dry 2832		
7	21982000	1	Turbo Nozzle Dry 2832	Inlet 32mm Plastic	
7	22360000	1	Turbo Nozzle Black		+010882
14	22302300	1	Nozzle Upholstery Black	W/seperate Grid F.32mm	+009244
14 >>	22351900	1	Nozzle Upholstery Black	W/mounted Grid F.32mm	+011063
14	32043700	1	Nozzle Upholstery Gray	W/separate Grid F.32mm	+002658
15	11276901	1	Brush Round Grey	32mm Brown Bristles	+005451
15 >>	22302500	1	Brush Round Black F.32mm	Tube	+009251
16	22303500	1	Nozzle Hard Floor 32mm		+009305
16	22351400	1	Hardfloor Nozzle Black	F/ 32mm Tube	+010998
20	81530400	1	Crevice Nozzle 32mm	245mm long with	7319519604320
21	11530500	1	Brush Ring F/crevice Nozzle		
22	11450201	1	Three-in-one Nozzle	Inlet 32mm Plastic	+000999
24	11980300	1	Nozzle Combi 270mm F/32mm	Gray	
27	12041000	1	Roller Combi Nozzle 3032	Inlet 32 mm	
27	22359800	1	Nozzle Combi Deluxe	Black 32 mm Tube	+010868
33	22424800	1	Pelican For King		+025114
34	81684500	1	Brush F. Turbo Nozzles 11	685000,21982000,22360000	
34	81684600	1	Drive Belt For Brush On	Turbo Nozzle 11685000	

NOTE

>>Means: New or changed ref. number or/and changed/new specifications.